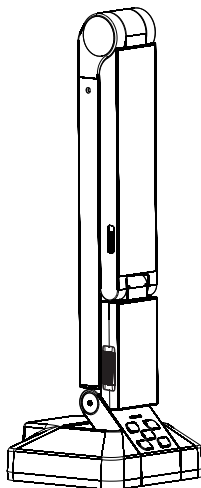


HoverCam

SOLO 8

Document Camera

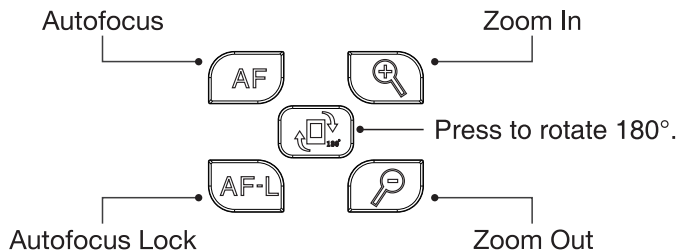
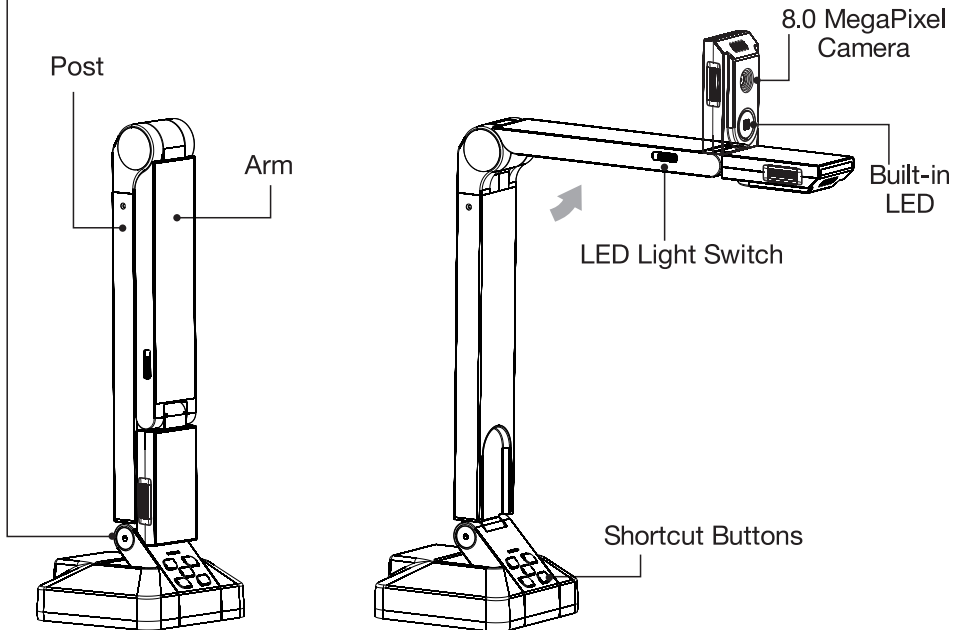
Quick Start Guide

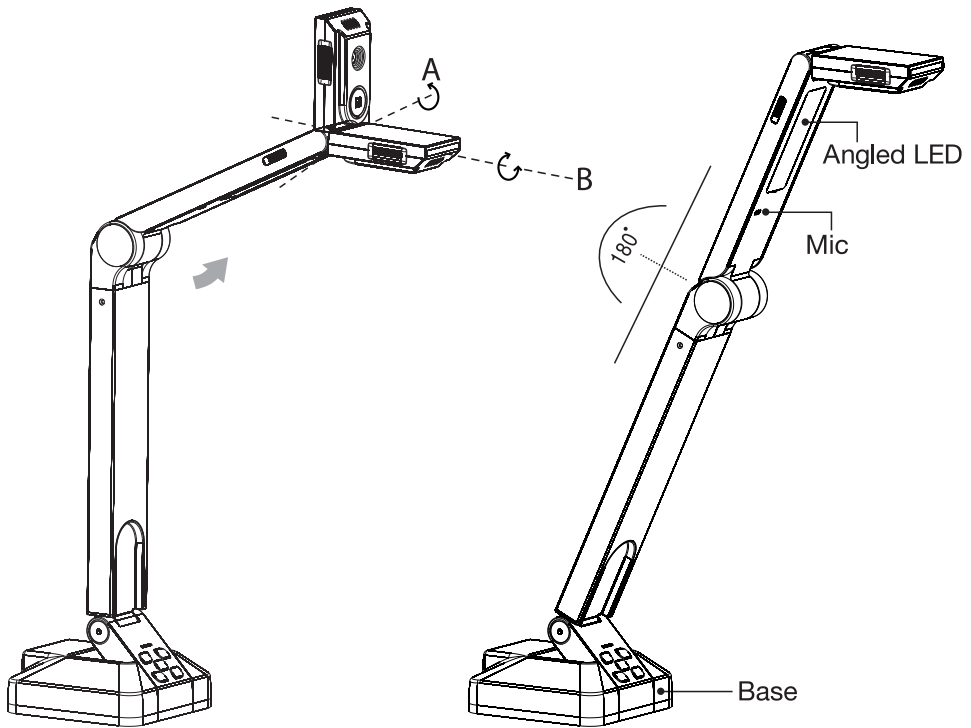


For further assistance, visit www.thehovercam.com or contact our Tech Support Team at support@thehovercam.com.

Windows & Mac compatible

The joint between the post and the base allows the Solo 8 to be folded down to make it easier to carry or store.

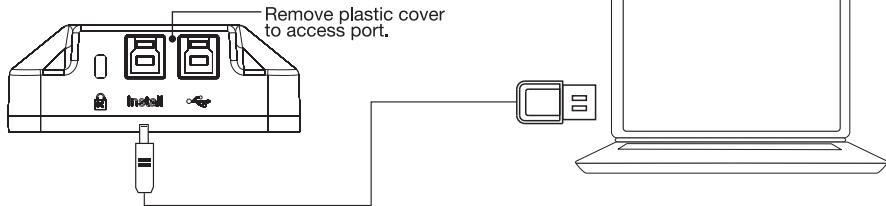




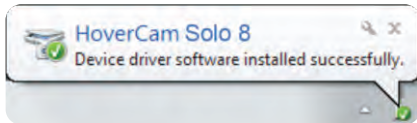
The camera head can flip up and down on the A axis and can rotate 90° counter-clockwise or 270° clockwise on the B axis .

Installation:

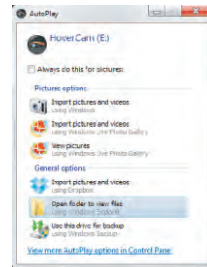
- 1 At the base of Solo 8, plug the USB cable into the *Install* port to install software to your computer.



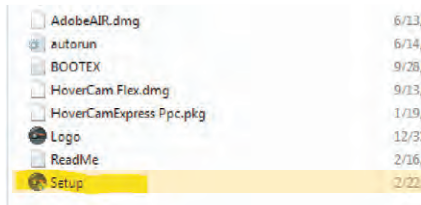
- 2 Before using any software with the Solo 8, please wait until you see a “*driver software installed successfully*” pop-up notification at the bottom of your screen.



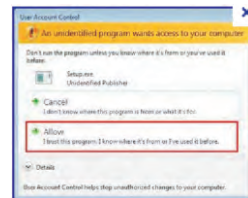
- 3 A dialog box will appear. Click “*Open folder to view files.*”



- 4 Double click on “*Setup*” to bring up the installation screen.



- 5 If another dialog box appears, similar to the one below, click on “*Allow*”.

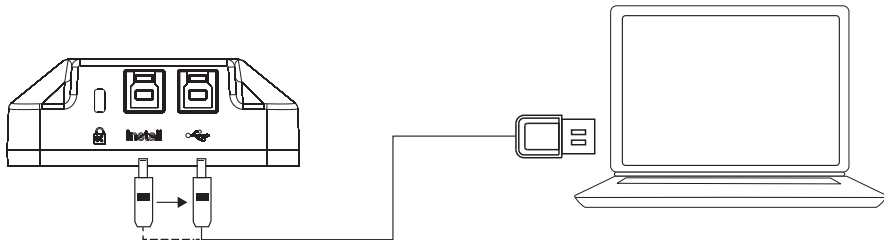


- 6 Select "Install HoverCam FlexCap" and "Install HoverCam FlexView" and go through the software installation process.



*When installing FlexView, installation screen may take a moment to load.

- 7 Unplug the USB cable from the *Install* port and into the *USB* port.
Congratulations! You are now ready to begin using your HoverCam Solo 8.



Mac Users Only: After installing both Flex software programs, please restart your computer before using your Solo 8.

For additional help or to access our tutorials, visit:
www.thehovercam.com/support/tutorials

Use HoverCam FlexView for all your presentation needs.



Use FlexView for these functionalities:

- 30fps Full Motion live video in 4K ASR, 1080P, 720P displays.
- ASR Zoom + Digital Zoom
- Annotation tools / screen effects
- Rotate screen view
- Advanced camera controls: autofocus, autofocus lock, select focus, auto exposure, auto exposure lock, auto white balance, auto white balance lock
- Time interval and motion trigger snapshots/scans
- SlingShot / drag-and-drop files into favorite programs
- Cropping / auto straighten
- Scan documents and take 5-megapixel snapshots
- Archive manager

*If your computer has a USB 3.0 port, we recommend selecting the YUV mode in the advanced control area for the best Solo 8 experience.

Use HoverCam FlexCap for snapshots and video recording.



Use FlexCap for these functionalities:

- Capture 8-megapixel snapshots and scans
- Record HD video
- Annotate while you record video